



MOULDED-PLASTIC ENCLOSURE FOR WALL MOUNTING
 DEGREE OF PROTECTION IP55,
 WITH N AND PE TERMINAL LOCKABLE IN 0 POSITION
 54MM

Certificates/ approvals:

General Product Approval

Declaration of
 Conformity

Test Certificates



[Special Test Certificate](#)

[Type Test Certificates/Test Report](#)

Shipping Approval



other

[Confirmation](#)

[Declaration of Conformity](#)

[other](#)

[Environmental Confirmations](#)

Further information:

Information- and Downloadcenter (Catalogs, Brochures,...)

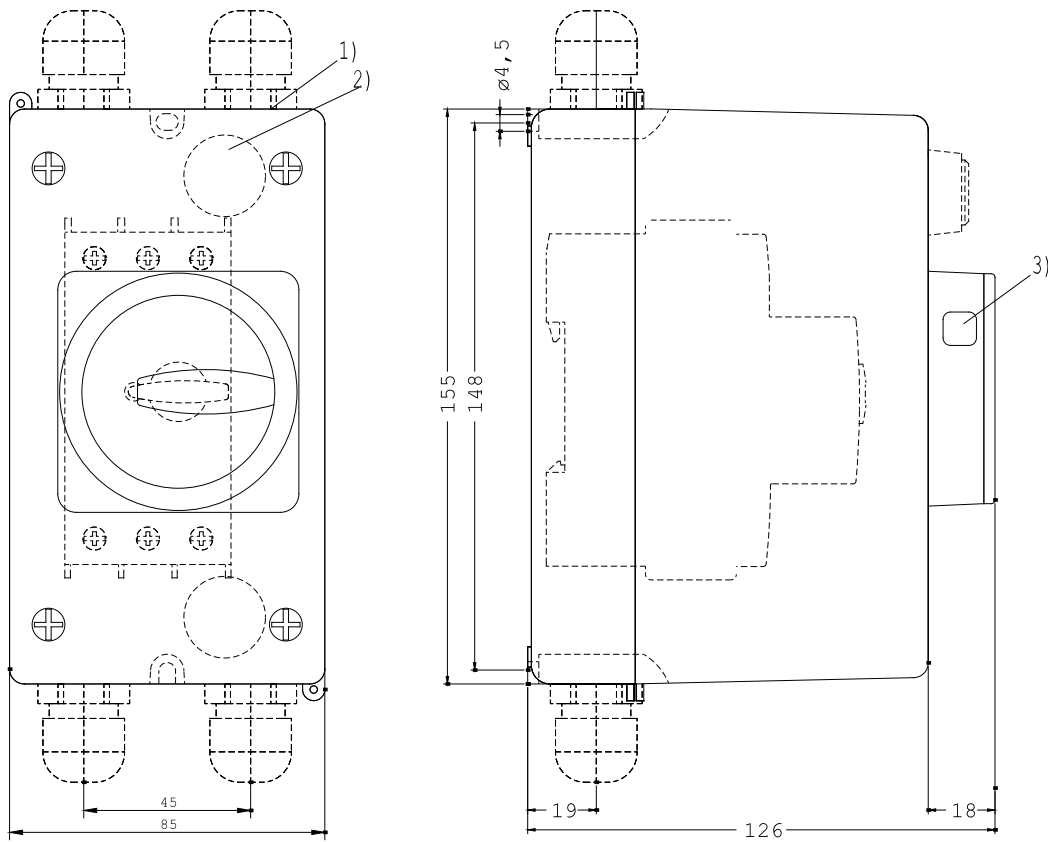
<http://www.siemens.com/industrial-controls/catalogs>

Industry Mall (Online ordering system)

<http://www.siemens.com/industrial-controls/mall>

Cax online generator

<http://www.siemens.com/cax>



3) Öffnung für ruckseitige Leitungseinführung
4) Vorhaenges Schloss mit Buegeldurchmesser max. 8 mm

last change: