



DIAZED-BASE DII 25A AC DC 500V SREWHEAD/CLAMP
TYPE TERMINAL SCREW TYPE

Similar to image

Technical data:

| | | |
|---|---|--------------|
| Design of the fuse base | | gauge inset |
| Current / for AC / rated value | A | 25 |
| Number of poles | | 1 |
| Type of mounting | | screw fixing |
| Material / of the enclosure | | porcelain |
| Product component / Cover | | Yes |
| Size of the fallback-system / acc. to DIN EN 60269-1 | | DIII |
| Supply voltage / for AC / rated value | V | 500 |

Certificates/approvals:

| General Product Approval | Declaration of Conformity | Test Certificates | Shipping Approval |
|---|---|--|---|
|  GOST |  KEMA |  VDE |  EG-Konf. |
| | | Type Test Certificates/Test Report |  GL |

Further information:

Information- and Downloadcenter (Catalogs, Brochures,...)
<http://www.siemens.com/lowvoltage/catalogs>

Industry Mall (Online ordering system)

<http://www.siemens.com/lowvoltage/mall>

Service&Support (Manuals, Certificates, Characteristics, FAQs,...)

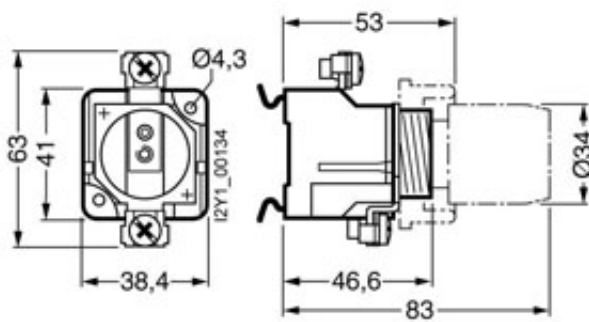
<http://support.automation.siemens.com/WW/view/en/5SF1024/all>

Image database (product images, 2D dimension drawings, 3D models, device circuit diagrams, ...)

http://www.automation.siemens.com/bilddb/cax_en.aspx?mlfb=5SF1024

CAx-Online-Generator

<http://www.siemens.com/cax>





last change:

Sep 3, 2012